

# HAZARDOUS LOCATION VALVES



## Series 20 >> Model E25

### Hazardous Location – 3-Way Directional Control Valve

Peter Paul explosion proof valves are used where fire or explosion hazards exist due to the presence of flammable gases or vapors, flammable liquids, combustible dust, or easily ignitable fibers. Hazardous Location valves are recommended, or in some cases compulsory, where a high level of protection from explosion is required.

- Heavy duty and made of stainless steel.
- A real workhorse with proven performance.
- It has the greatest amount of options available of all the valves.
- Wide range of orifice sizes from 1/32" to 1/8".

## OPERATING CONDITIONS

**Media:** Air, water, and other fluids compatible with standard Buna seals. Hot water, steam gasoline, and many oils require special seal materials. (Series 20 pressure ratings may change due to the viscosity of the liquid.)\*

**Valve Temperature Range:** Standard Valves - 0°F (-18°C) to 104°F (40°C) ambient; 0°F (-18°C) to 150°F (65°C) media. Optional Valves - can tolerate much higher or much lower ambient and media temperatures.\*

**Maximum Operating Pressure Differentials:** See table on proceeding page.

**Burst Pressure:** 5000 PSI

**Leakage:** Bubble tight for standard valves.

**Vacuum:** To 5 Microns\*

## ELECTRICAL CHARACTERISTICS

**Coil Voltage:** 6 to 825V AC 60 HZ. and 5 to 720V AC 50 HZ. – 1.8 to 265V DC

**Nominal Power:** AC – 7.3 Watts DC – 9.5 Watts

**Coil Construction:** Molded Class F with third wire ground (Std.), Class H or Potted (Opt.)

**Typical Response Time on Air:** 4 - 16 Milliseconds

**Operating Speed:** Up to 600 CPM

**Duty Cycle:** Continuous

## MECHANICAL CHARACTERISTICS

**Body:** Stainless Steel (Std.)

**Internal Components:** Stainless Steel

**Elastomers:** Nitrile (Buna) (Std.). Many other elastomers available.\*

**Orifice Diameter:** See table on proceeding page.

**Porting:** 1/8" and 1/4" NPT (others ports available).

**Housing:** Flame-Proof construction with 1/2" NPT conduit

**Listings:** Valves are UL listed and certified for Hazard Locations – Class I, Div 1, Group C and D - Class II, Div 1, Group E, F, and G; Div 2, Groups C, D, E, F, and G.

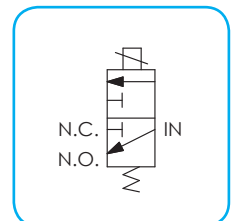
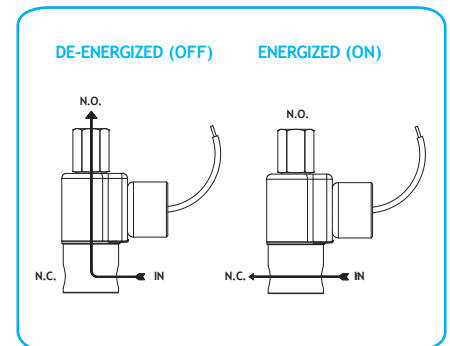
**Life Expectancy:** Millions of cycles, depending on application, lubrication, etc.

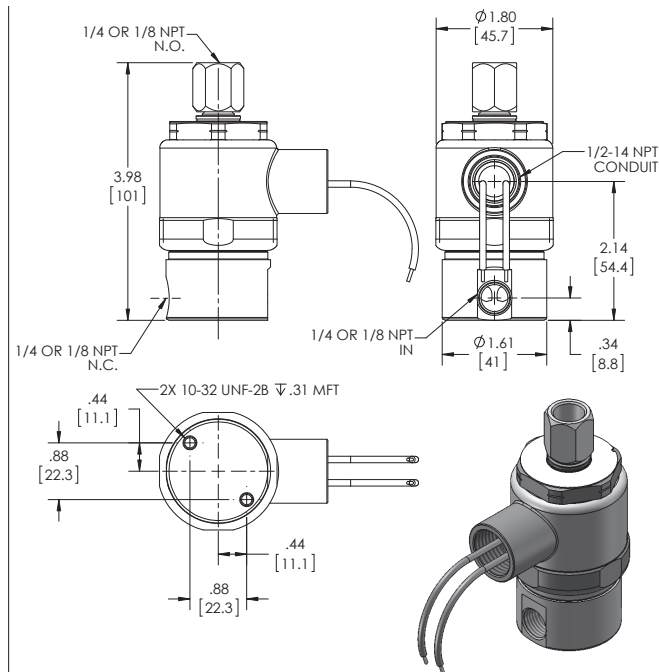
**Valve Weight:** 1.50 lbs

**Repair Kits:** See table on proceeding page.

**Options:** Alternate Port Locations, Metering, Manual Override, Alternate Elastomers\*

\* Consult representative or factory for options and specifications.





**SERIES 20 MODEL E25  
3-WAY DIRECTIONAL CONTROL  
EXPLOSION PROOF**

## VALVE SPECIFICATIONS

+ MAX. OPER. PRESS. DIFF.		ORIFICE SIZE		CV FACTOR		VALVE NUMBER	
AC	DC	N.C.	N.O.	N.C.	N.O.	1/8 NPT PORTS	1/4 NPT PORTS
500	500	1/32	1/32	.024	.024	E25GG7XCCM	E25GG9ZCCM
235 (400)	235 (300)	3/64	3/64	.052	.052	E25HH7XCCM	E25HH9ZCCM
200 (225)	200 (200)	1/16	3/64	.095	.052	E25JH7XCCM	E25JH9ZCCM
150 (225)	150 (200)	1/16	1/16	.095	.095	E25JJ7XCCM	E25JJ9ZCCM
100 (150)	100 (125)	3/32	3/32	.156	.156	E25KK7XCCM	E25KK9ZCCM
100 (125)	100	1/8	3/32	.284	.156	E25NK7XCCM	E25NK9ZCCM
35 (40)	35 (40)	1/8	1/8	.284	.227	E25NN7XCCM ^	E25NN9ZCCM ^

^ VALVES WITH 1/8 ORIFICE ARE NOT UL OR CSA LISTED

WHEN ORDERING VALVES OR REPAIR KITS ADD VOLTAGE AND FREQUENCY TO COMPLETE VALVE NUMBER. EXAMPLES: VALVE (E25NK9ZCCM-120/60) REPAIR KIT (2KE25NK-AC)

+ Ratings in brackets are optional extended ratings; consult factory.