

# GENERAL PURPOSE VALVES



## Series 70 >> Ventilator Valve

### 3-Way Dual-Inlet, Single Outlet

Direct acting valve switches inlet breath pressure to outlet breath pressure. Can run air to 100% oxygen. Very high CV flow coefficient. Very quiet operation.

- Very quiet switching operation.
- Controls the flow of air (up to 100% oxygen).

## OPERATING CONDITIONS

**Media:** Air up to 100% oxygen

**Valve Temperature Range:** 0°F (-18°C) to 104°F (40°C) ambient

**Maximum Operating Pressure Differentials:** 2 psi

**Leakage:** Bubble tight.

## ELECTRICAL CHARACTERISTICS

**Coil Voltage:** 24 VDC

**Nominal Power:** 12.5 Watts

**Coil Construction:** Molded, Class F.

**Duty Cycle:** Continuous

## MECHANICAL CHARACTERISTICS

**Body:** Brass

**Internal Components:** Stainless Steel.

**Elastomers:** Nitrile (Buna).

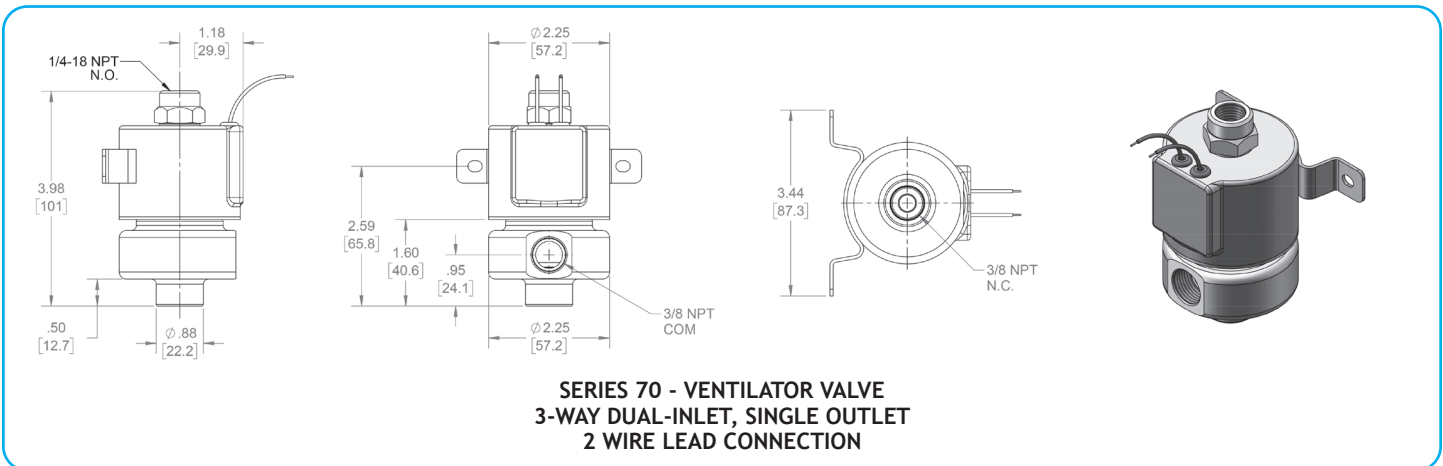
**Flow Data:** CV N.C. to Com: 2.2 (3/8" orifice), CV N.O. to Com: 1.4 (5/16" orifice)

**Porting:** Common Port, N.C. Port: 3/8" NPT, N.O. Port 1/4" NPT.

**Housing:** Grommet with mounting bracket.

**Life Expectancy:** Over 10 Million cycles.

**Valve Weight:** 2.1325 lbs



## VALVE SPECIFICATIONS

MAX. OPER. PRESS. DIFF. DC	ORIFICE SIZE	CV FACTOR	VALVE NUMBER
2	1/4"	2.2	76X00950GM 24/DC